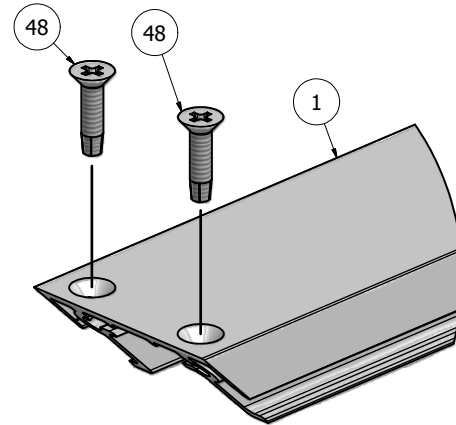
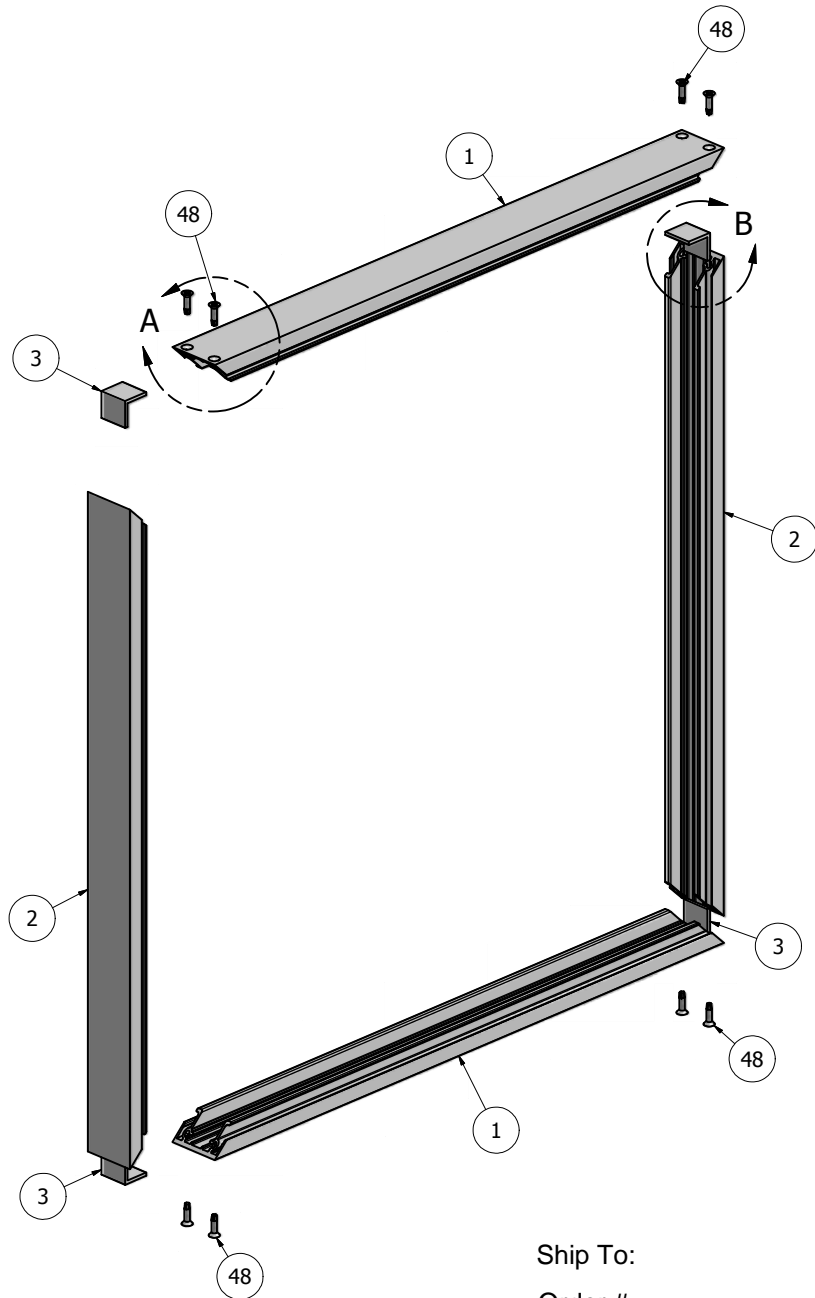
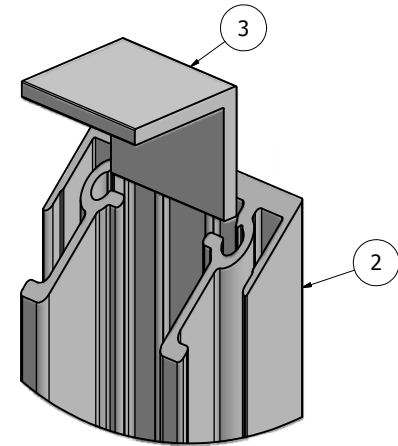


Parts List			
ITEM	PART #	DESCRIPTION	NOTES
1	1110	Series 2 Slide Body	Top & Bottom
2	1110	Series 2 Slide Body	Sides
3	5330	Series 2 Slide Body Corner Angle	
48	5240	Slide Body Screw	Drill #10 Counter Sink



DETAIL A



DETAIL B

NOTE: PRE-CUT KITS ARE NOT PRE-DRILLED.

(Holes shown in this drawing are for reference only.
Drilling of pilot holes are to be done by fabricator.)

THIS DRAWING WAS CREATED AT NO CHARGE TO ASSIST YOU IN VISUALIZING OUR PROPOSAL. THE DRAWING HEREIN IS THE PROPERTY OF SIGNCOMP. PERMISSION TO COPY OR REVISE THIS DRAWING OR TO USE THIS DRAWING FOR PRODUCTION IS STRICTLY PROHIBITED AND CAN ONLY BE COPIED, REVISED OR USED FOR PRODUCTION WITH THE EXPRESSED WRITTEN PERMISSION OF SIGNCOMP.

DRAWN	3/30/2010	<h1>SignComp</h1> <p>Series 2 Slide Body - Assembly</p>			
CHECKED					
QA					
MFG					
APPROVED					
SIZE	C	DWG NO	K1110	REV	
SCALE		SHEET 1 OF 1			

Ship To:
Order #: